



NVR1821-040

NVR profesional 9/16/32 canale, 4K, H.265/ H.264, ANR, 4 HDD

Imagine

KEDACOM



Descriere

Gama NVR1821-040 este formata din nvr-uri cu 9, 16 sau 32 canale cu rezolutie de inregistrare de pana la 8MP (4K), capacitate de decodare H.265, ANR, e-SATA si posibilitate instalare 4HDD de pana la 6TB fiecare.

Codarea H.265 face posibila stocarea a mai multor imagini si totodata latimea de banda necesara pentru transmiterea imaginilor este cu 50% mai mica fata de codarea H.264.

Functia ANR asigura eficienta maxima a sistemului de supraveghere chiar si atunci cand este intrerupta conexiunea cu NVR-ul. Cu ajutorul acestei functii prezente in camera si in NVR, in cazul intreruperii comunicatiei dintre camera si dispozitivul de inregistrare, camera va inregistra local pe cardul MicroSD dupa care, in momentul restabilirii conexiunii cu NVR-ul, toate imaginile se vor transfera in memoria acestuia.

NVR-ul permite redarea de imagini independente pe cele doua iesiri video (HDMI si VGA) putand fi astfel integrat cu usurinta in sistemele de monitorizare ale localurilor publice.

Caracteristici

Performanta ridicata

- Codare H.265 - spatiu de stocare si latime de banda necesara cu 50% mai putin
- Capabilitate de decodare 4 x 4K@30fps / 16 x 1080p@30fps
- Pana la 32 canale IP
- Latime de banda (intrare) de pana la 320Mbps
- Latime de banda (iesire) de pana la 256Mbps
- Acces pentru 64 de utilizatori simultan
- Pana la 24TB spatiu de stocare (max. 4HDD)
- Stocare e-SATA suportata

Usor de instalat

- Organizare automata a retelei
- Server DHCP integrat

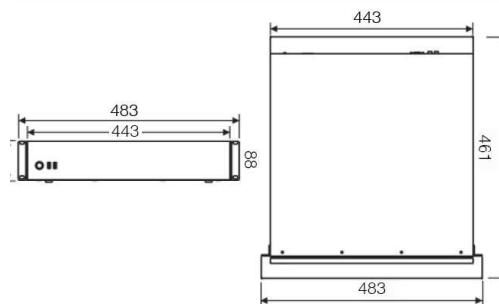
Fiabilitate ridicata

- Embedded Linux
- Consum redus de energie
- Suporta ANR (Automatic Network Replenishment)
- Suporta recuperarea pachetelor de date (PLR)
- N+1 Hot Backup

Multitudine de functii si caracteristici

- Iesiri video HDMI si VGA cu redare de imagini independente
- E-Map, TV-Wall, Canal virtual
- Audio bi-directional, broadcasting
- NAT, Socks5
- Administrare alarme, 2 x alarma I/O, 2 x RS485
- CMS gratuit (V Station), suporta pana la 128 NVR simultan
- CMS suporta 6 ecrane simultan (4 x monitorizare in timp real, 1 x E-Map, 1 x TV-Wall)

Dimensiuni



Unitate de masura: mm



Specificatii

YLI ETERNIT ACCES srl
 A.: HAIDUCULUI 3A, CLUJ-NAPOCA
 T.: +40 264 484989
 W.: www.yli.ro

NVR1821-040
 NVR 9/16/32 canale, 4K, H.265/ H.264, ANR, 4 HDD
 FISA TEHNICA

	NVR1821-04009B	NVR1821-04016B	NVR1821-04032B
Intrare AUDIO/ VIDEO			
Numar canale	9	16	32
Rezolutie	8MP(4K), 6MP, 5MP, 4MP, 3MP, 1080p, UXGA, 960p, 720p, XGA, SVGA, D1, CIF, QCIF		
Compresie	H.265 / H.264		
Protocoale	Onvif, RTSP, KEDACOM		
Rata biti	64kbps ~ 16384kbps		
Latime de banda (intrare)	90Mbps	160Mbps	320Mbps
Monitorizare in timp real			
Ecran local	1 x HDMI, 1 x VGA, imagini independente		
Afisare multi-ecran ->monitor local	1, 4, 9, 1+4, 1+8, 1/1, 4/1	1, 4, 9, 15, 16, 1+4, 1+8, 1+9, 1+15, 1/1, 4/1, 9/1, 15/1, 16/1, 1+4/1, 1+8/1, 1+9/1, 1+15/1, 4/9, 9/4, 9/9	1, 4, 9, 15, 16, 36, 1+4, 1+8, 1+9, 1+15, 1/1, 4/1, 9/1, 15/1, 16/1, 1+4/1, 1+8/1, 1+9/1, 1+15/1, 4/9, 9/4, 9/9
Afisare multi-ecran ->client	pana la 4 ecrane simultan: 1, 3, 4, 9, 12, 16, 20, 25, 30, 36, 42, 49, 56, 63, 64+5, 1+7, 1+8, 1+9, 1+11, 1+15, 1+16, 1+33, 1+47, 1+48		
E-Map	Vizualizare in timp real in E-Map (V Station)		
Funcții	E-PTZ / Scheme / Polling / TV-Wall (optional cu decodor)/ Canal virtual		
Inregistrare			
Rezolutie	8MP(4K), 6MP, 5MP, 4MP, 3MP, 1080p, UXGA, 960p, 720p, XGA, SVGA, D1, CIF, QCIF		
Mod	Manual / Continuu / Programat / Eveniment (Pre / Post)		
Declansare la eveniment	Suportat		
Tag	Suportat		
Cautare si redare			
Mod cautare	Data si ora (calendar)/ Eveniment		
Rezolutie	8MP(4K), 6MP, 5MP, 4MP, 3MP, 1080p, UXGA, 960p, 720p, XGA, SVGA, D1, CIF, QCIF		
Redare (monitor local)	4 x 4K@30fps / 9 x 1080p@30fps	4 x 4K@30fps / 16 x 1080p@30fps	
Redare (client)	pana la 16 x 4K@30fps		
Redare sincronizata (monitor local)	4 x 4K@30fps / 9 x 1080p@30fps	4 x 4K@30fps / 16 x 1080p@30fps	
Redare sincronizata (client)	4 x 4K@30fps		
Funcții	Slow forward / Fast forward / Loop / Single frame / E-PTZ / Slice playback		
Stocare			
Numar maxim HDD interne	4 x SATA 3.5" HDD		
	Max. 24TB (pana la 6TB/HDD)		
Extern	IP SAN (iSCSI), pana la 10 x IP SAN, Max. 100T (optional)		
	e-SATA		
Funcții	Disk group / Quota / Disk dormancy		



YLI ETERNIT ACCES srl
 A.: HAIDUCULUI 3A, CLUJ-NAPOCA
 T.: +40 264 484989
 W.: www.yli.ro

NVR1821-040
 NVR 9/16/32 canale, 4K, H.265/ H.264, ANR, 4 HDD

FISA TEHNICA

	NVR1821-04009B	NVR1821-04016B	NVR1821-04032B
Audio			
Compresie	G.711a / G.711u / ADPCM / G.722 / G.722.1c / AAC-LC		
Rata biti	32kbps ~ 64kbps		
Funcții audio	Bi-directional audio / Dumb / Mute / Broadcasting		
Alarma			
Actiuni declansare alarma	Alarm input/ Video lost/ Motion detection/ Tampering/ Guard line/ Defocus/ Scene change/ Enter guard area/ Exit guard area/ Object left/ Object removal/ Gathering/ Audio surge		
Declasare alarma sistem	Device disconnected / No disk / Disk error / IP Address conflict / Network disconnected/ Low speed / Insufficient recording space / MAC address conflict / Insufficient snapshot space		
Evenimente alarma	Snapshot / Recording / PTZ preset / Buzzer / Email / Link to Client / Alarm caption / Live view in first window / Link to TV Wall / Link to secondary screen / Full screen viewing		
Sistem			
Sistem de operare	Embedded Linux		
Administrare utilizatori	Administrator / Utilizator		
Administrare log-uri	Autentificare utilizatori/ Operatii utilizatori/ Alarmer/ Backup/ Actualizari		
SDK	V Station SDK		
Retea			
Protocoale retea	TCP/IP, UDP, HTTP, DHCP, DNS/DDNS, RTP/RTCP, RTSP, PPPoE, FTP, SNMP, VSIP, UPNP, SMTP, IPv4, IPv6 (optional)		
Aplicatii vizualizare	CMS (V Station) / Web / iOS app / Android app		
Numar maxim utilizatori	64 utilizatori		
Latime de banda (iesire)	256Mbps		
Funcții	NAT / Socks5 / Multiple network access / Packet loss recovery / Auto network organizing		
Test retea	Suportat		
Interfete			
Ethernet	2 x 10/100/1000M, interfata RJ45		
Iesiri video	1 x HDMI (pana la 3840 x 2160@60Hz), 1 x VGA (pana la 1920 x 1080@60Hz)		
Audio I/O	1 x RCA Line in / 1 x RCA Line out		
Alarma I/O	2 x intrari/ 2 x iesiri		
Control	2 x RS485		
USB	2 x USB 2.0, 1 x USB 3.0		
e-SATA	1 x 3-SATA		
Mediu			
Temperatura de operare/ umiditate	-10°C ~ 55°C / 10% ~ 90%		
Electric			
Alimentare / consum	100 ~ 240V AC, 50 ~ 60Hz / max. 15W (fara HDD)		
Mecanice			
Greutate / dimensiuni	7.6 kg / 443(L) x 461(l) x 88(H)mm		